

JVC

SCHEMATIC DIAGRAMS

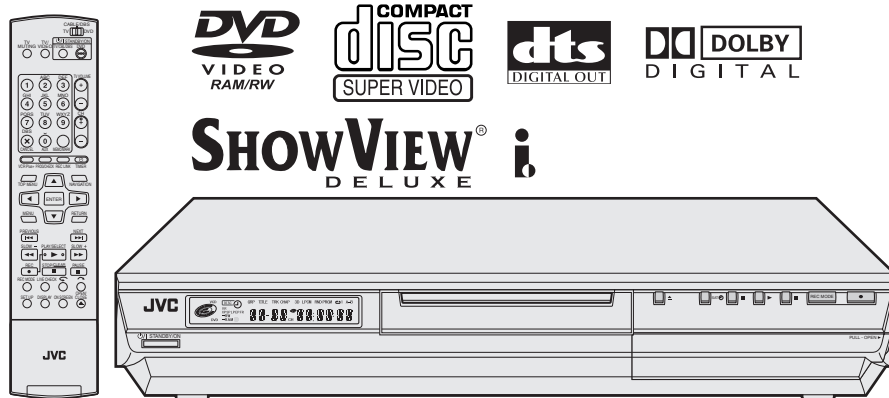
DVD VIDEO RECORDER

DR-M10SEF, DR-M10SEK DR-M10SE, DR-M10SER DR-M10BE

CD-ROM No.SML200404

Area Suffix

EK U.K.
EF France
ER --- Russian Federation
E Continental Europe
 Northern Europe



Since the whole mechanism assembly unit is replaced, the DVD recorder mechanism of this unit need not be adjusted.

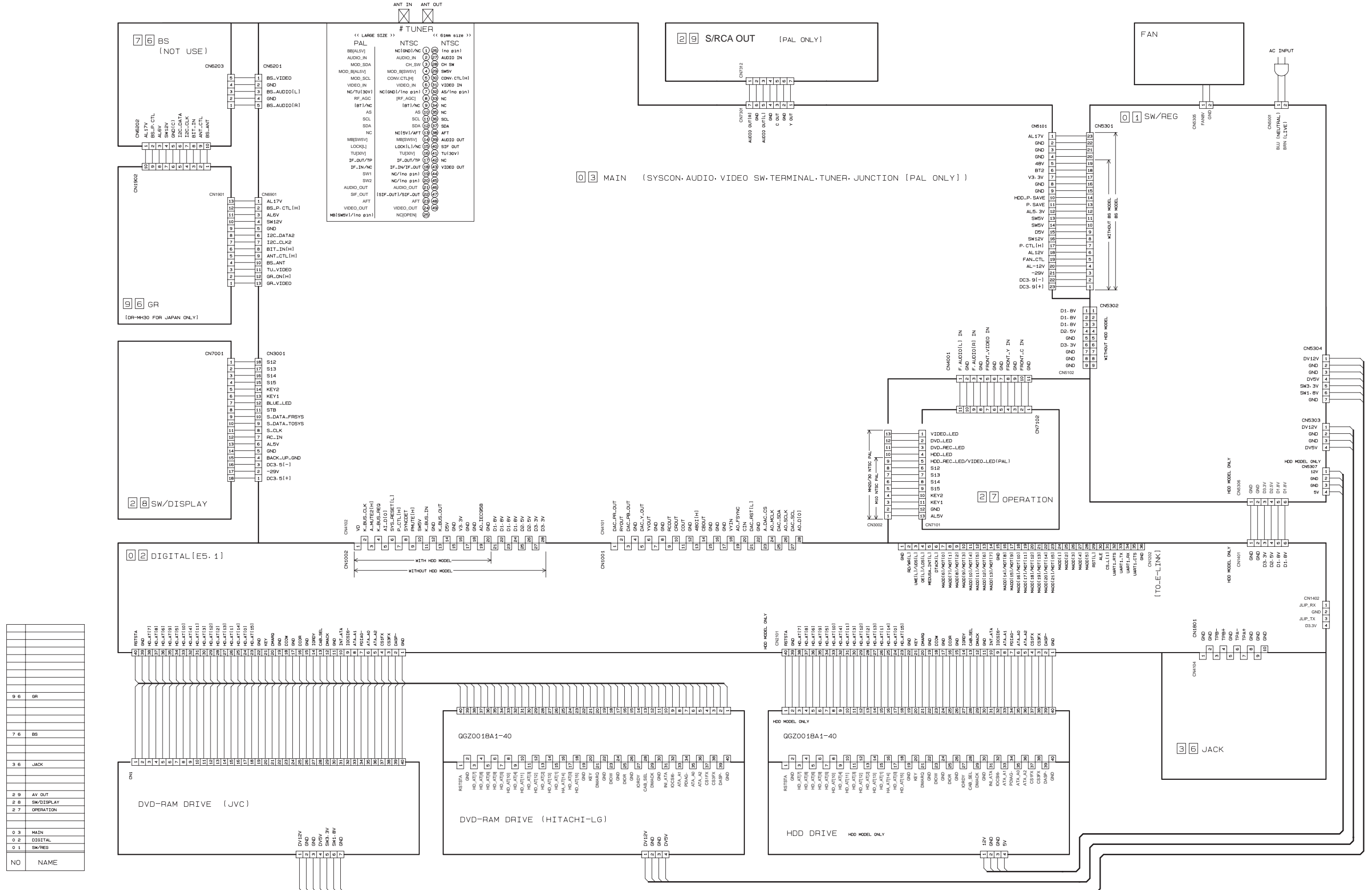
Contents

Safety precaution	2-2
Wiring diagram	2-3
Block diagrams	2-4
Standard schematic diagrams	2-7
Printed circuit boards	2-21

Safety precaution

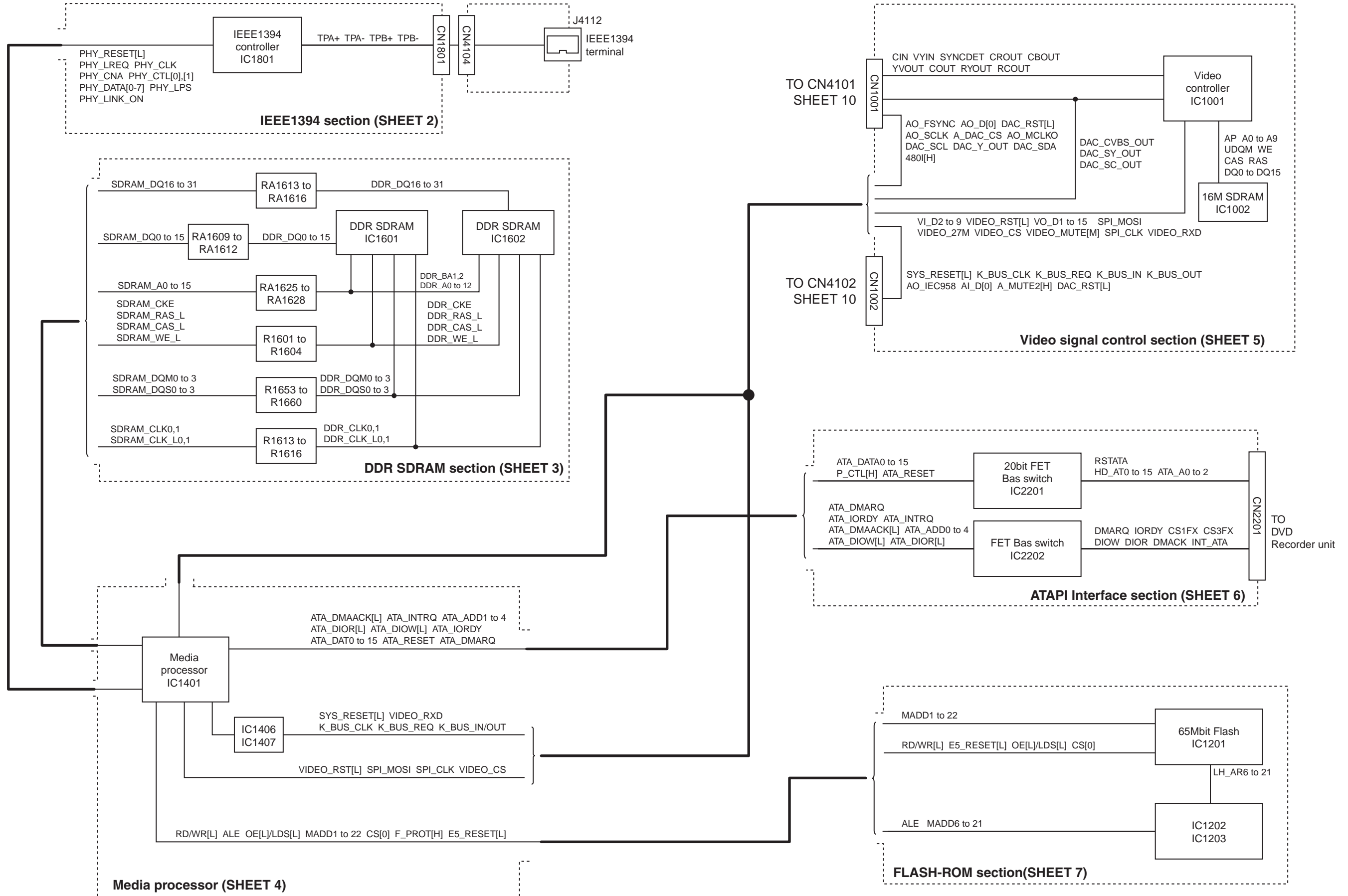
In regard with component parts appearing on the silk-screen printed side (parts side) of the PWB diagrams, the parts that are printed over with black such as the resistor (■), diode (⬤) and ICP (●) or identified by the "⚠" mark nearby are critical for safety. When replacing them, be sure to use the parts of the same type and rating as specified by the manufacturer. (Except the JC version)

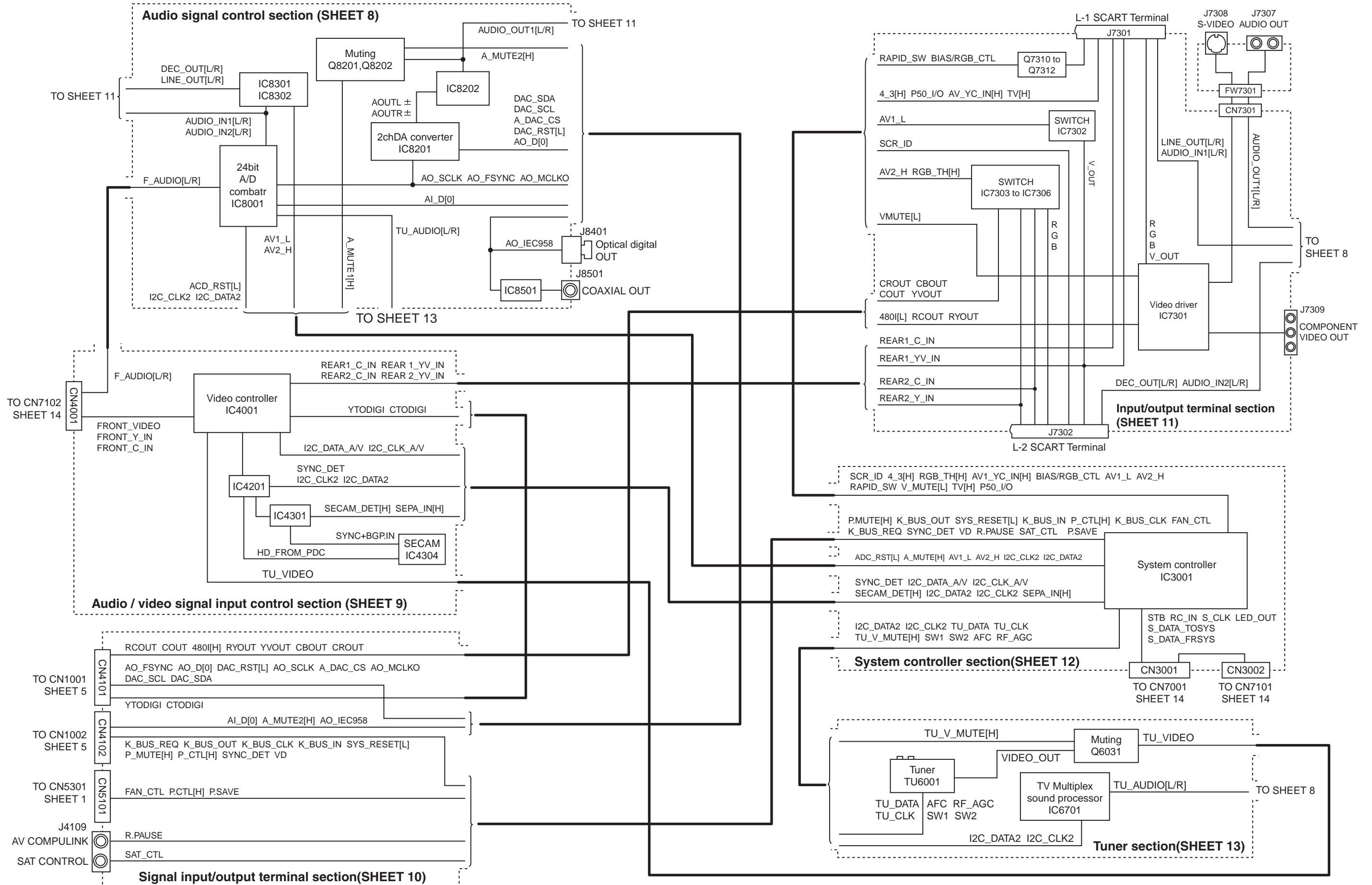
Wiring diagram



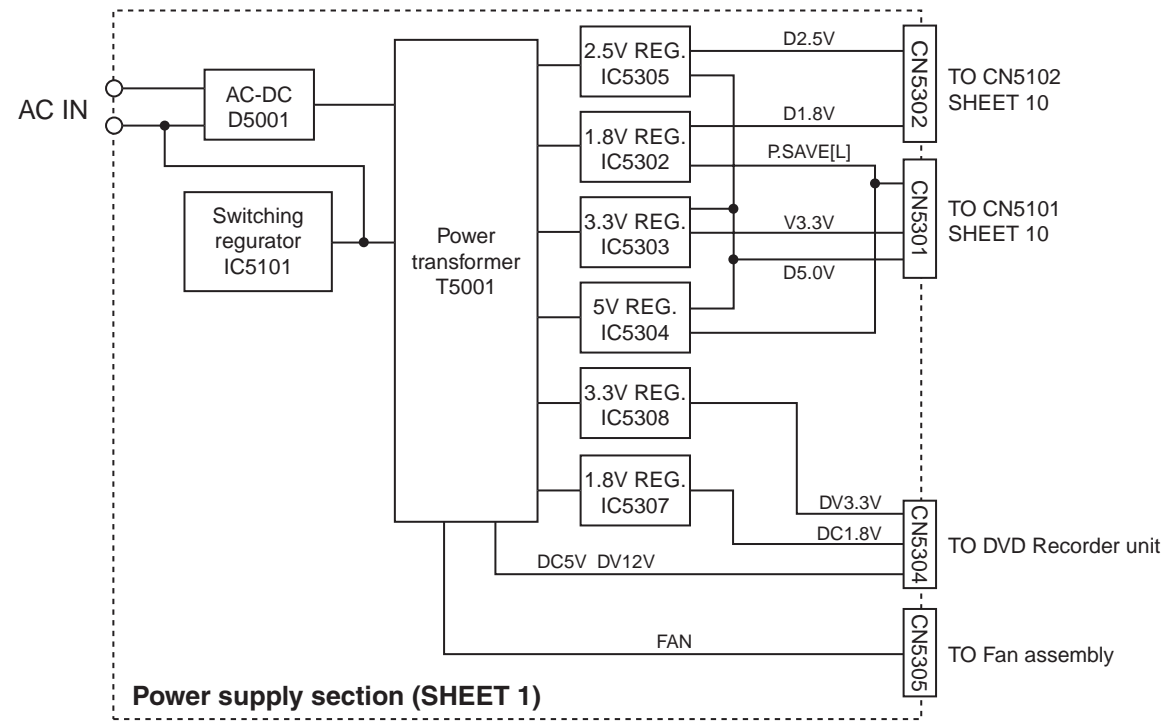
Block diagrams

■ DIGITAL 02

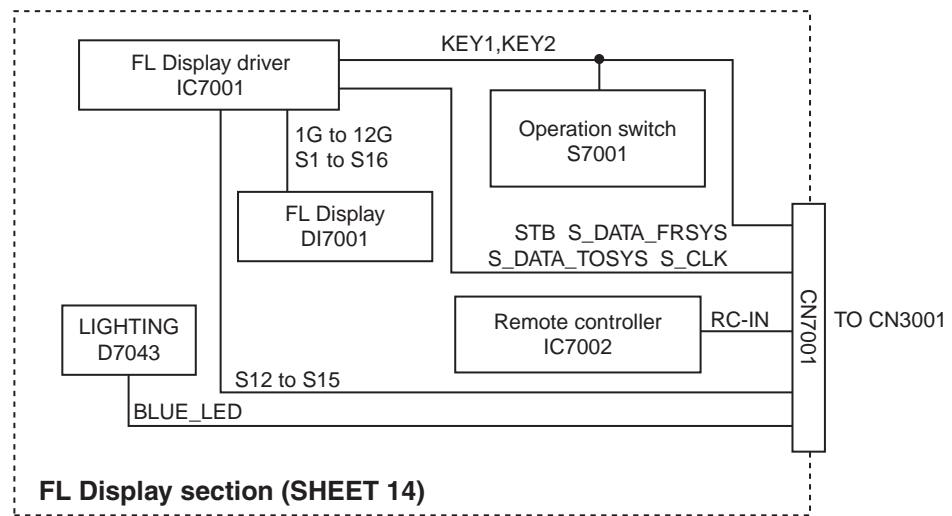




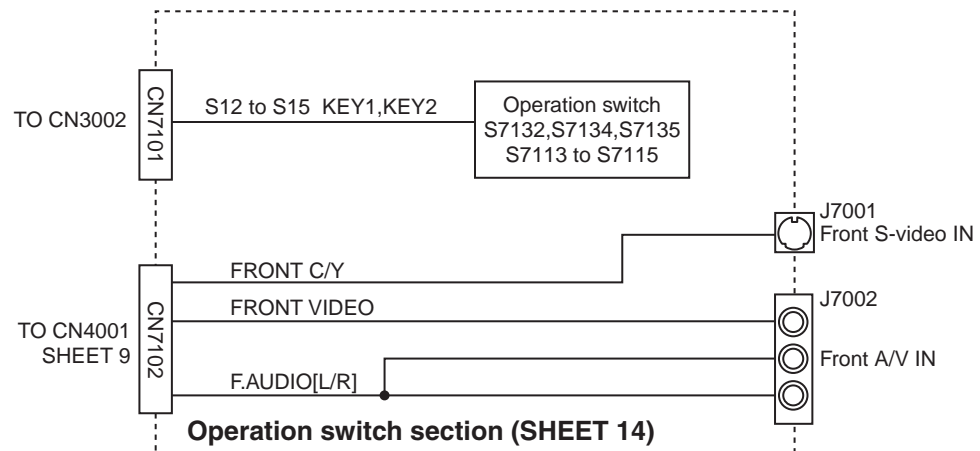
■ SW.REG 0 1



■ SW/DISPLAY 2 8

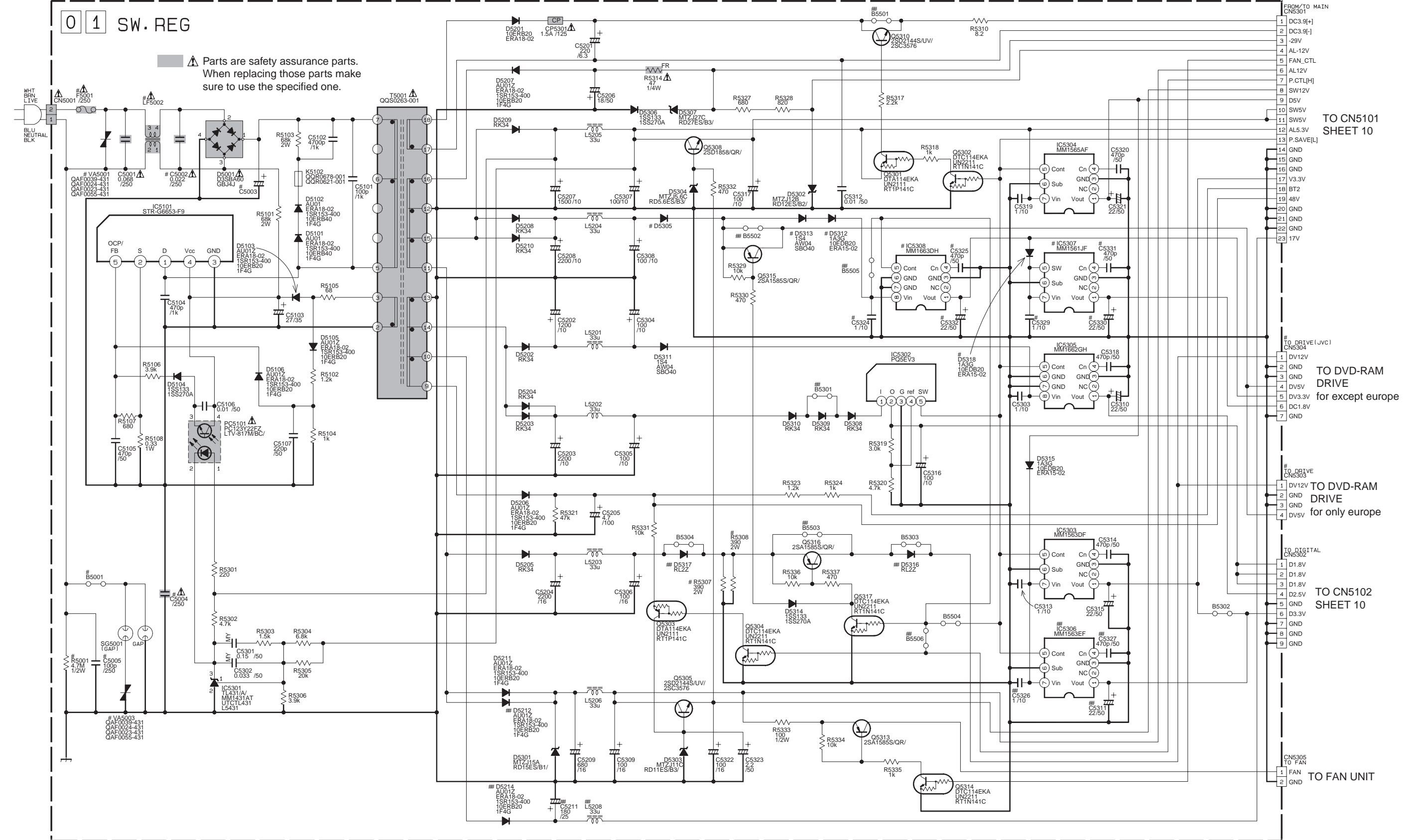


■ OPERATE 2 7



Standard schematic diagrams

Power supply section



##MARK ELEMENTS ARE NOT MOUNTED.

#DIFFERENCE TABLE

	B5001	C5002	C5003	C5004	C5005	F5001	LF5002	R5001	VA5001	VA5003	C5324	C5330	D5312	IC5308	R5308	CN5303	CN5304	D5305	
US	YES	NO	330/200	4700p	YES	1.6A	GG90908-001 GG90909-001	YES	YES	NO			YES			NO	YES	RK34	
JPN							GG91215-001	NO		YES									
EURO	NO	YES	82/400	2200p	NO	T1-6AL	GG91031-001	NO	NO	NO			NO			YES	NO	RL22	

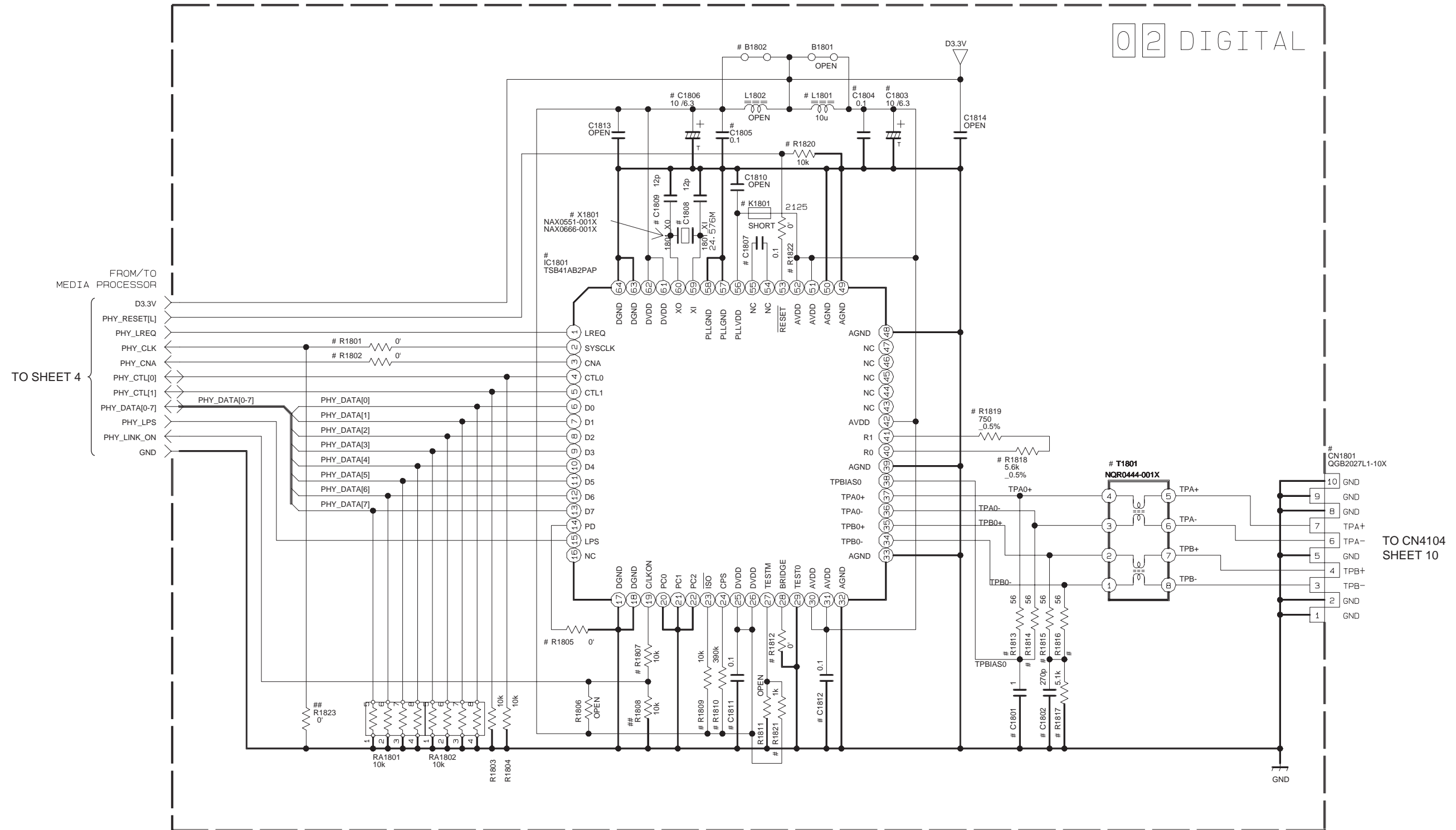
NOTES-UNLESS OTHERWISE SPECIFIED.

ALL RESISTANCE VALUES ARE IN OHMS.

ALL INDUCTANCE VALUES ARE IN H.

ALL CAPACITANCE VALUES ARE IN μF.

ELECTROLYTIC
 CERAMIC
 MYLAR
 NON POLAR



NOTES: UNLESS OTHERWISE SPECIFIED.

ALL RESISTANCE VALUES ARE IN OHMS.

ALL INDUCTANCE VALUES ARE IN H.

ALL CAPACITANCE VALUES ARE IN μ F.

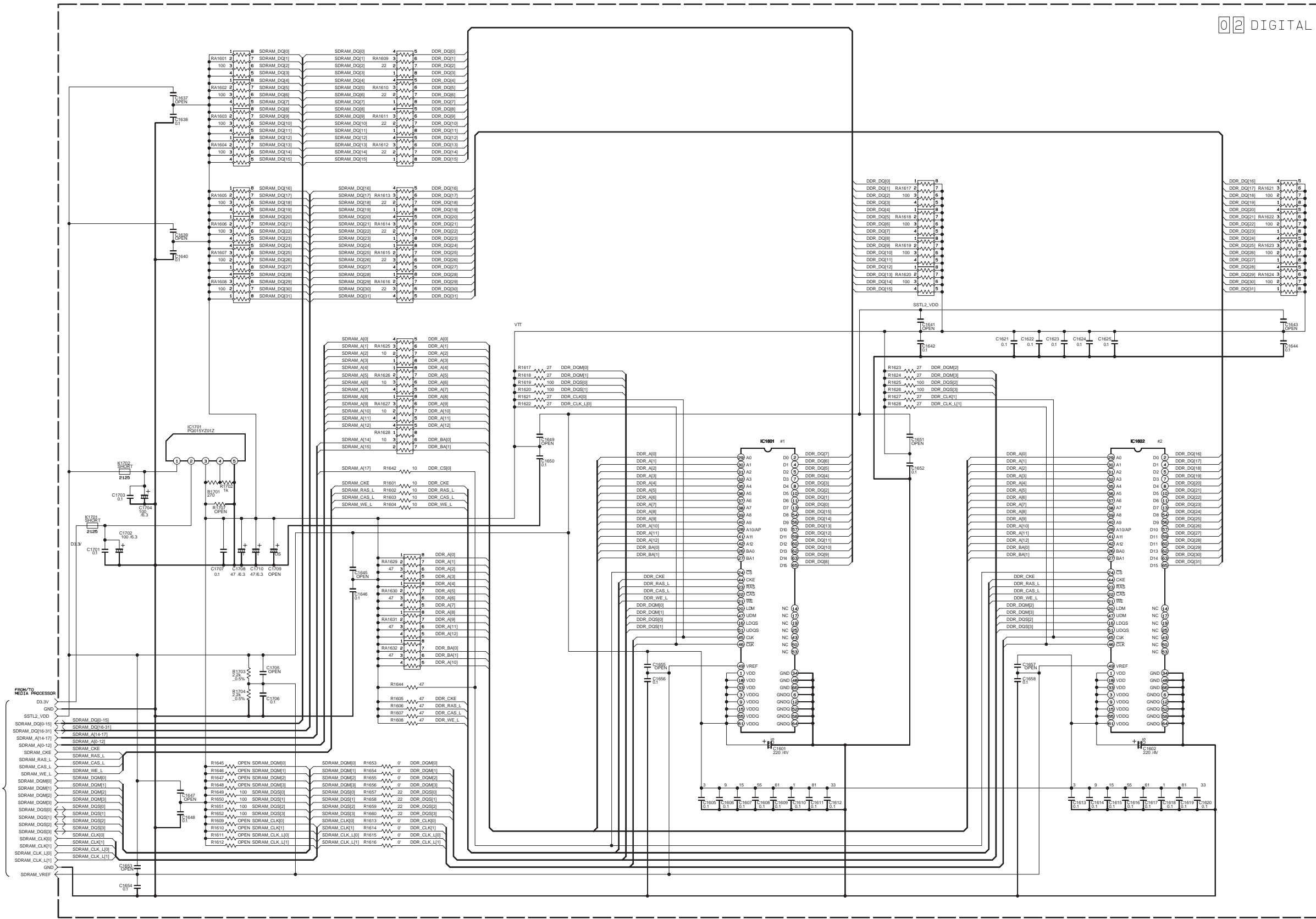
- ELECTROLYTIC
- CERAMIC
- ORGANIC SEMICONDUCTOR
- TANTAL

DIFFERENCE TABLE

DV IN	# MARK	## MARK
○	○	×
×	×	○

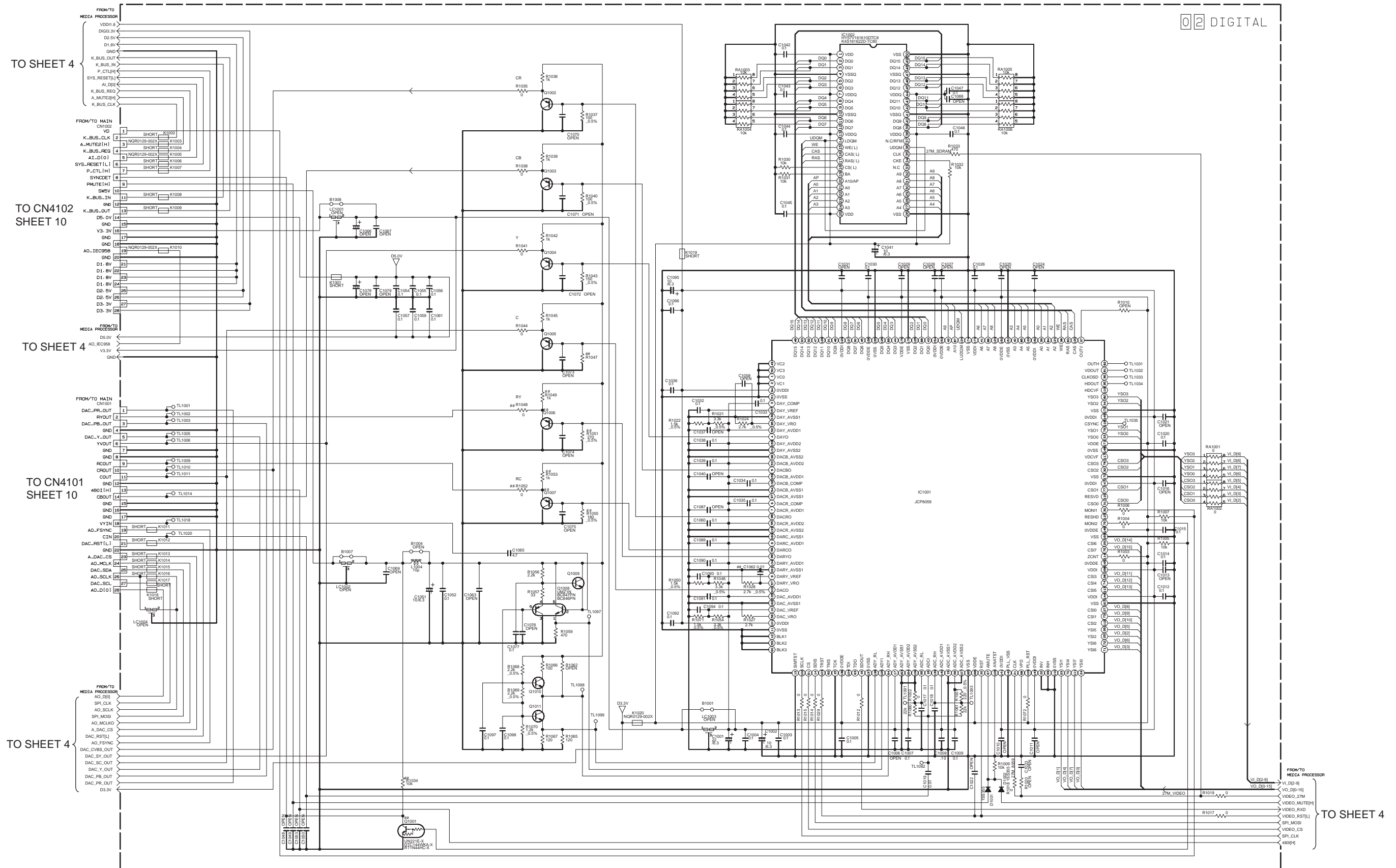
■ DDR SDRAM section

TO SHEET 4



NOTES: UNLESS OTHERWISE SPECIFIED:
 ALL RESISTANCE VALUES ARE IN OHMS.
 ALL INDUCTANCE VALUES ARE IN H.
 ALL CAPACITANCE VALUES ARE IN pF.
 [Symbol] ELECTROLYTIC
 [Symbol] CERAMIC
 [Symbol] ORGANIC SEMICONDUCTOR
 [Symbol] TANTALUM

Video signal controller section



MARK

	Q1001- R1034	R1047	R1048- R1049- R1051- R1052- R1053- R1055- C1062- G1006- G1007
US	O	220±0.5%	X
JPN	O	220±0.5%	X
PAL	X	200±0.5%	O

NOTES: UNLESS OTHERWISE SPECIFIED.
 ALL RESISTANCE VALUES ARE IN OHMS.
 ALL INDUCTANCE VALUES ARE IN H.
 ALL CAPACITANCE VALUES ARE IN µF.

ELECTROLYTIC
 CERAMIC
 ORGANIC SEMICONDUCTOR
 TANTALUM

ALL NPN TYPE TRANSISTORS ARE 2SC2412K/GRS/-X
 or 2SC3928A/GRS/-X
 or 2SC5601A/GRS/-X

 ALL PNP TYPE TRANSISTORS ARE 2SA1037AK/GR/-X
 or 2SA1530A/GR/-X
 or 2SB709A/GR/-X

■ ATAPI Interface section

02 DIGITAL

NOTES: UNLESS OTHERWISE SPECIFIED.
ALL RESISTANCE VALUES ARE IN OHMS.
ALL INDUCTANCE VALUES ARE IN H.
ALL CAPACITANCE VALUES ARE IN μF.

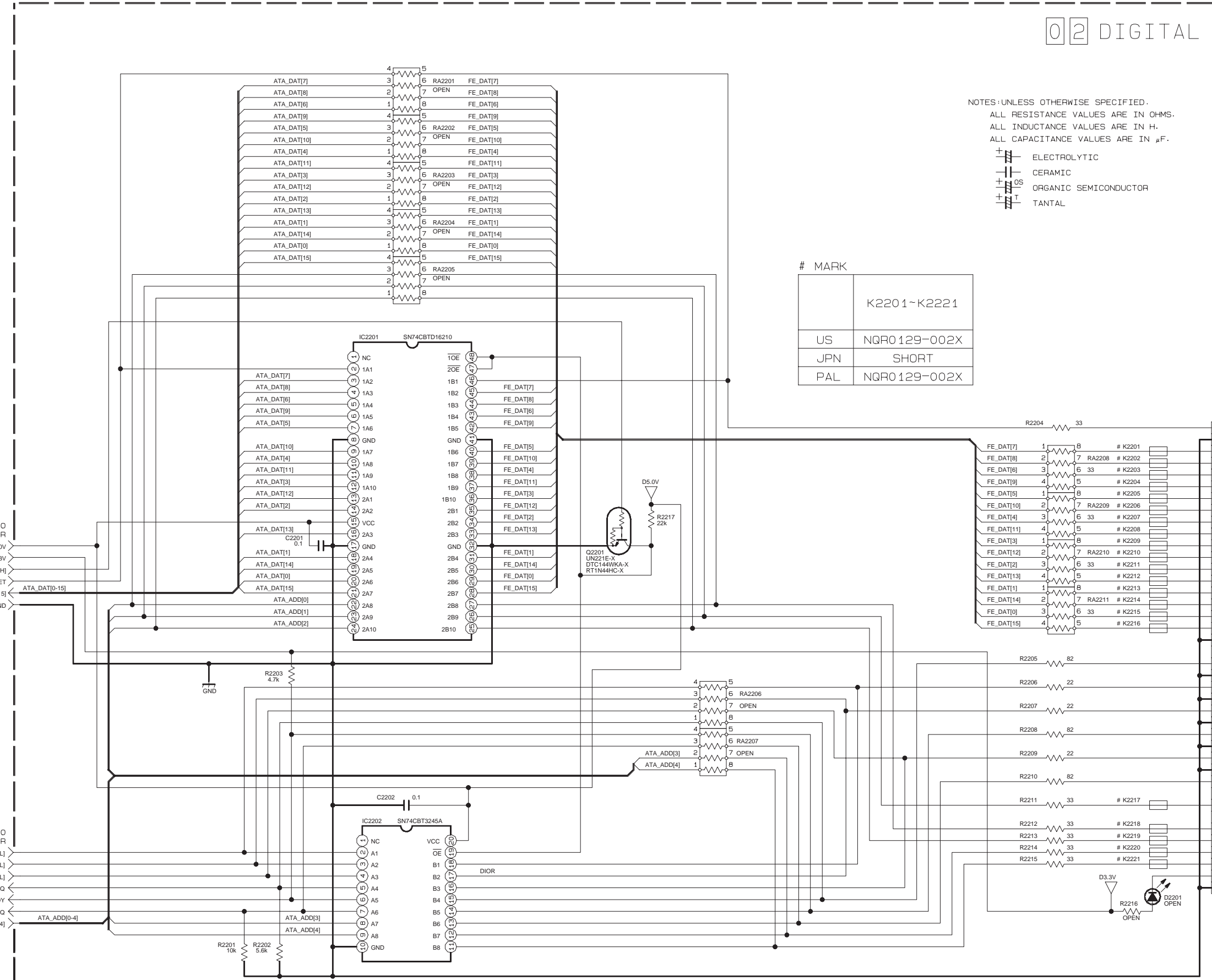
- ELECTROLYTIC
- CERAMIC
- ORGANIC SEMICONDUCTOR
- TANTAL

MARK

	K2201-K2221
US	NGR0129-002X
JPN	SHORT
PAL	NGR0129-002X

TO SHEET 4

TO SHEET 4

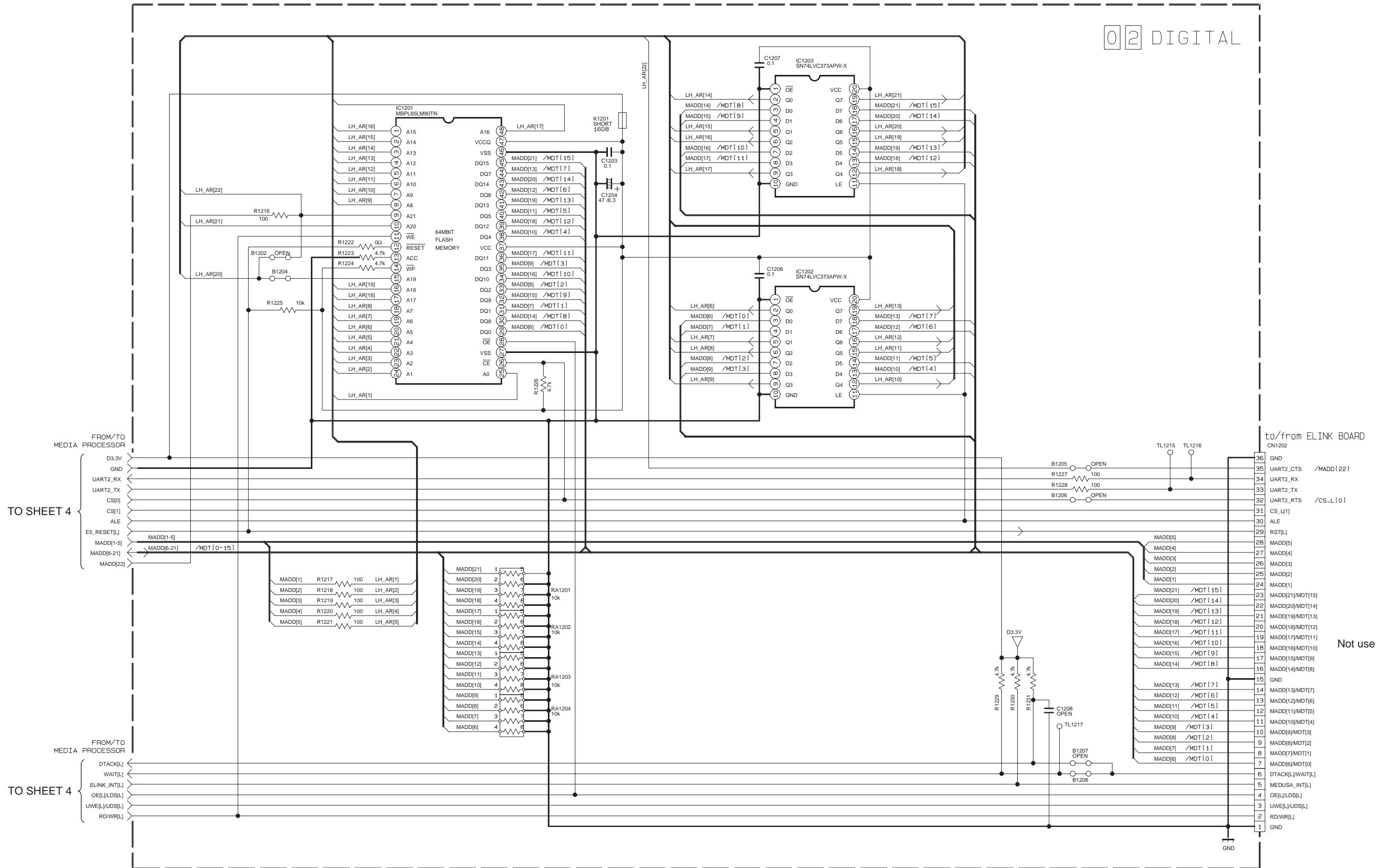


FROM/TO DRIVE
CN2201
RSTATA
GND
HD_AT[7]
HD_AT[8]
HD_AT[6]
HD_AT[9]
HD_AT[5]
HD_AT[10]
HD_AT[4]
HD_AT[11]
HD_AT[3]
HD_AT[12]
HD_AT[2]
HD_AT[13]
HD_AT[1]
HD_AT[14]
HD_AT[0]
HD_AT[15]

TO DVD-RAM DRIVE

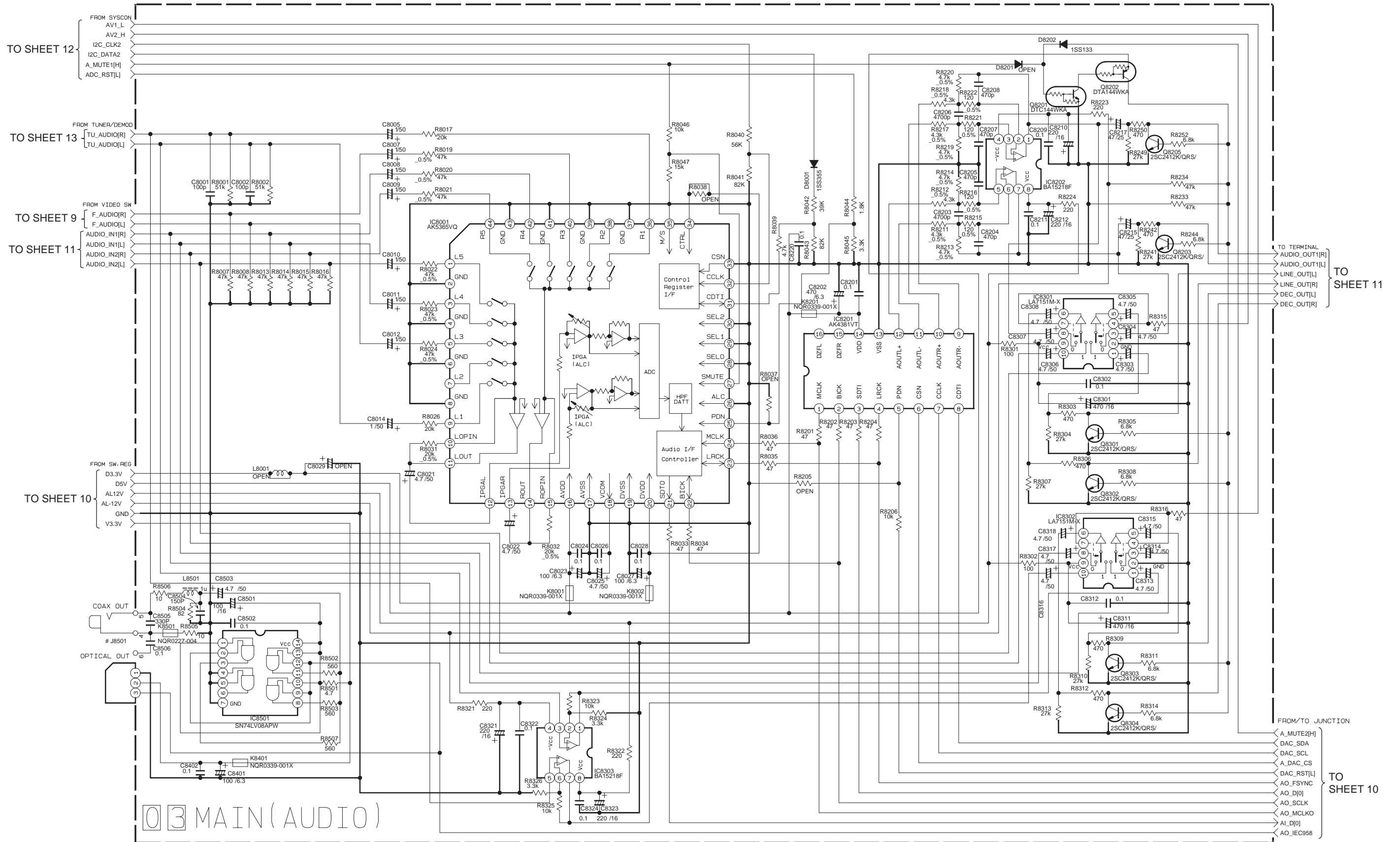
FLASH-ROM section

02 DIGITAL



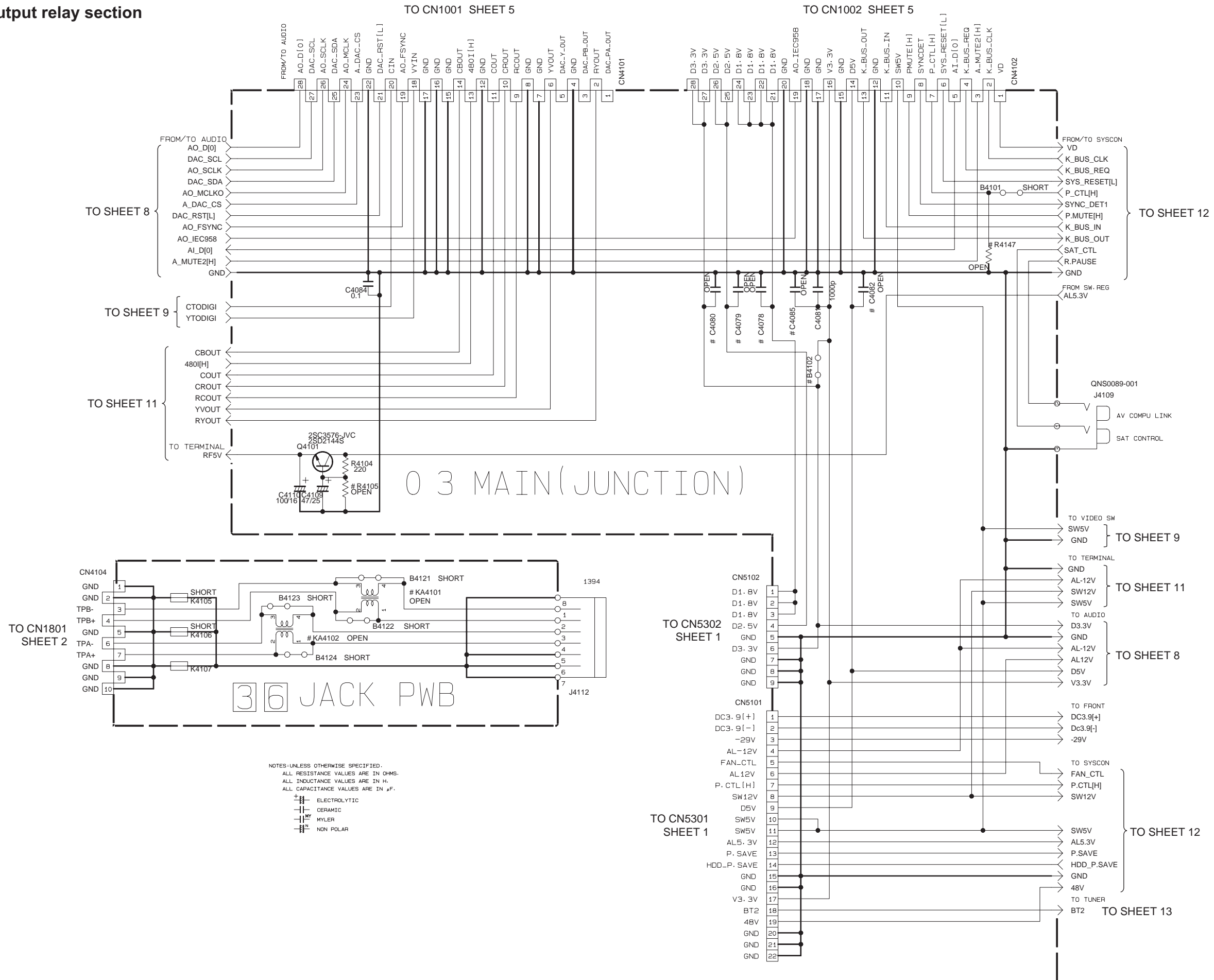
NOTES: UNLESS OTHERWISE SPECIFIED.
 ALL RESISTANCE VALUES ARE IN OHMS.
 ALL INDUCTANCE VALUES ARE IN H.
 ALL CAPACITANCE VALUES ARE IN μ F.
 + — ELECTROLYTIC
 — — CERAMIC
 + — OS — ORGANIC SEMICONDUCTOR
 + — TANTALUM

■ Audio signal control section

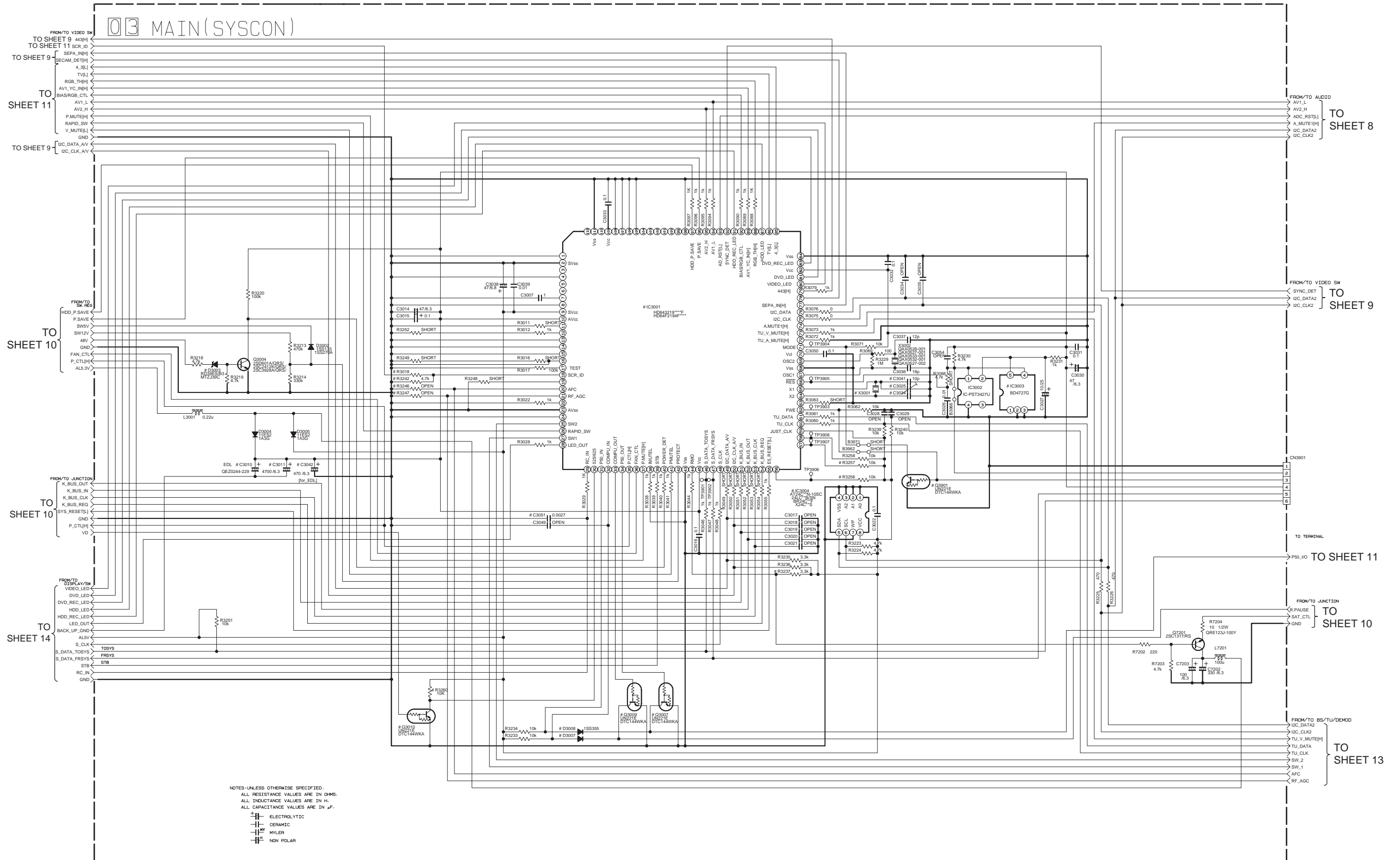


NOTES: UNLESS OTHERWISE SPECIFIED.
 ALL RESISTANCE VALUES ARE IN OHMS.
 ALL INDUCTANCE VALUES ARE IN H.
 ALL CAPACITANCE VALUES ARE IN μF.
 — ELECTROLYTIC — MYLER
 — CERAMIC — NON POLAR

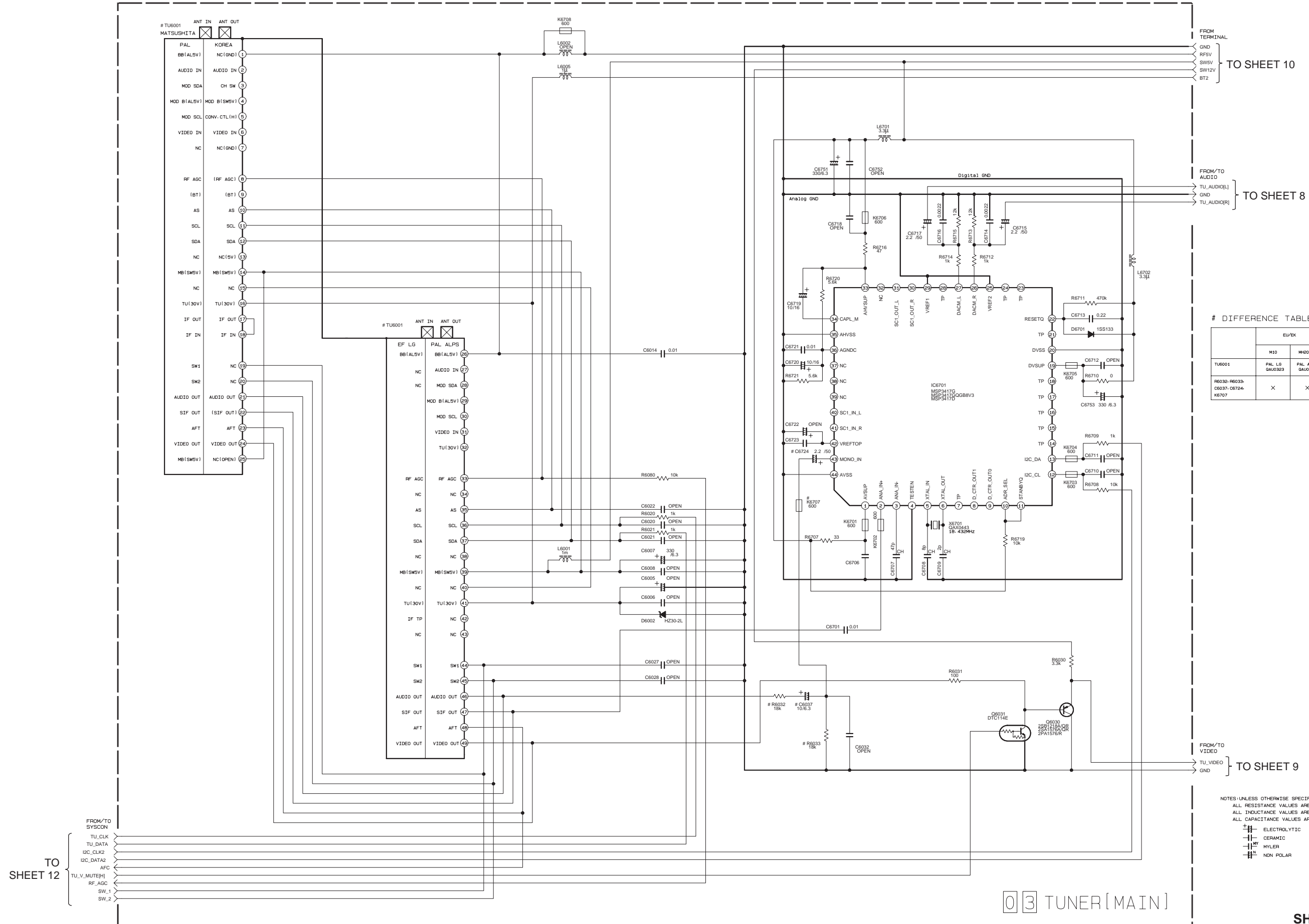
Input/Output relay section



System controller section



■ Tuner section



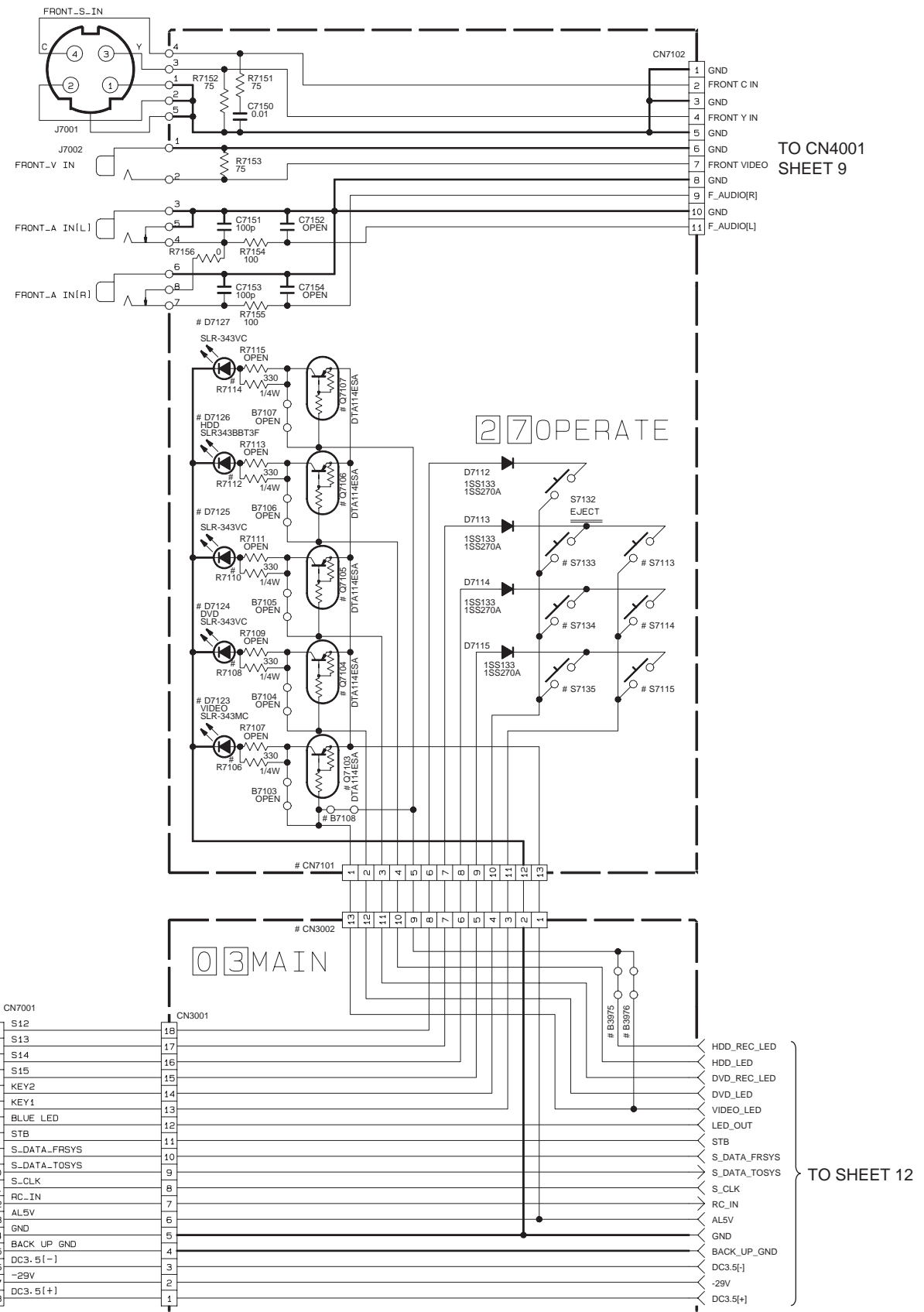
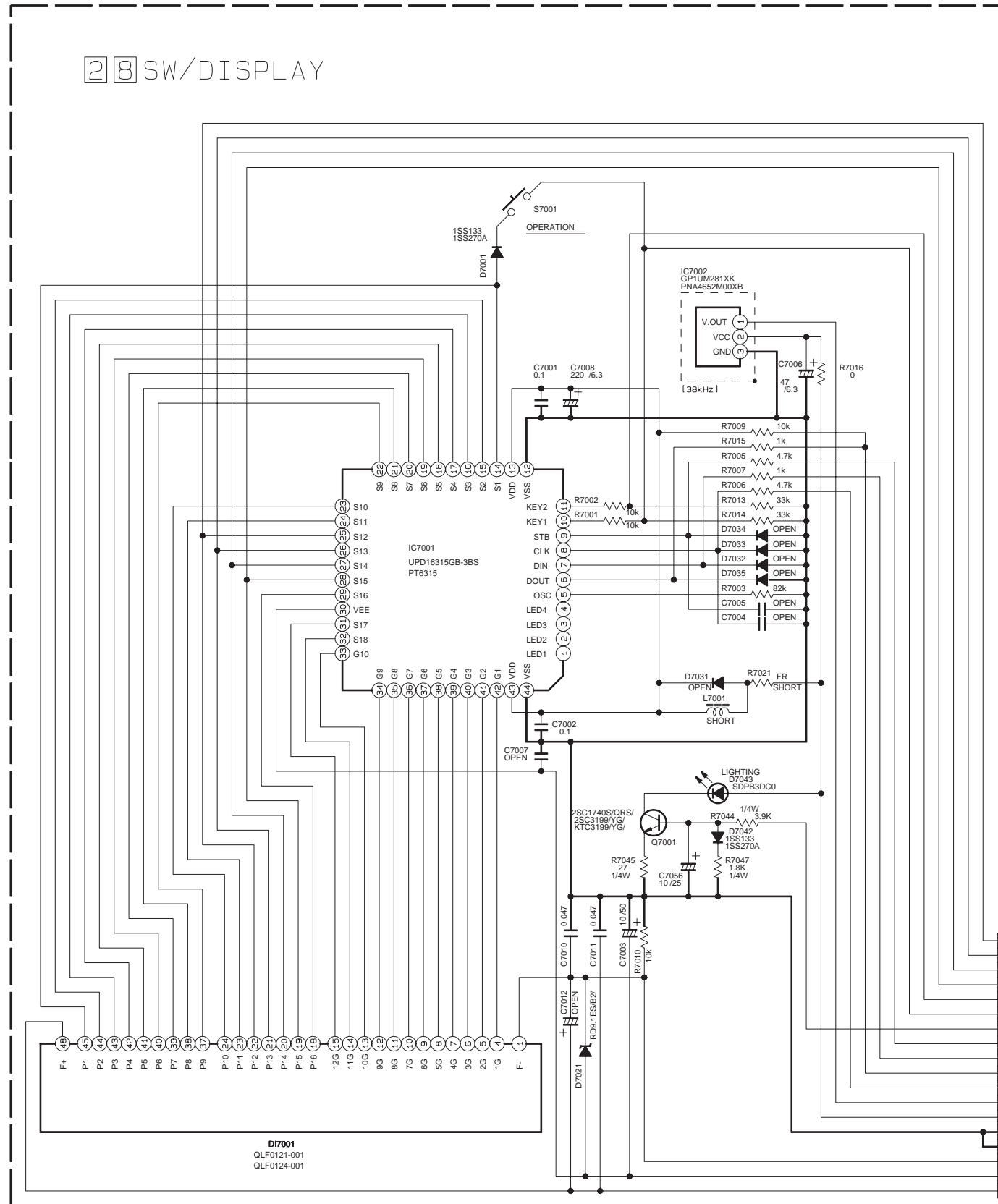
DIFFERENCE TABLE

	EU/EX		EF
	M10	M40/30	
TU6001	PAL LG GAU0323	PAL ALPS GAU0251	EF LG GAU0299
R6032-R6033- C6037, C6724- K6707	X	X	O

NOTES UNLESS OTHERWISE SPECIFIED.
 ALL RESISTANCE VALUES ARE IN OHMS.
 ALL INDUCTANCE VALUES ARE IN H.
 ALL CAPACITANCE VALUES ARE IN μ F.
 [Symbol] ELECTROLYTIC
 [Symbol] CERAMIC
 [Symbol] MYLER
 [Symbol] NON POLAR

03 TUNER[MAIN]

FL Display and operation switch section



DIFFERENCE TABLE

	S7113	S7114	S7115	S7133	S7134	S7135	D7123-R7106 D7103-B7108 B3976	D7124-D7127-R7108 R7110-R7112-R7114 D7104-D7107-B3975	CN7101	CN3002
M10	REC	REC MODE	PAUSE	X	STOP	PLAY	X	X	9PIN(5-13)	9PIN(1-9)
M120/M130	DVD	HDD	REC	STOP	PLAY	PAUSE	X	O	13PIN	13PIN

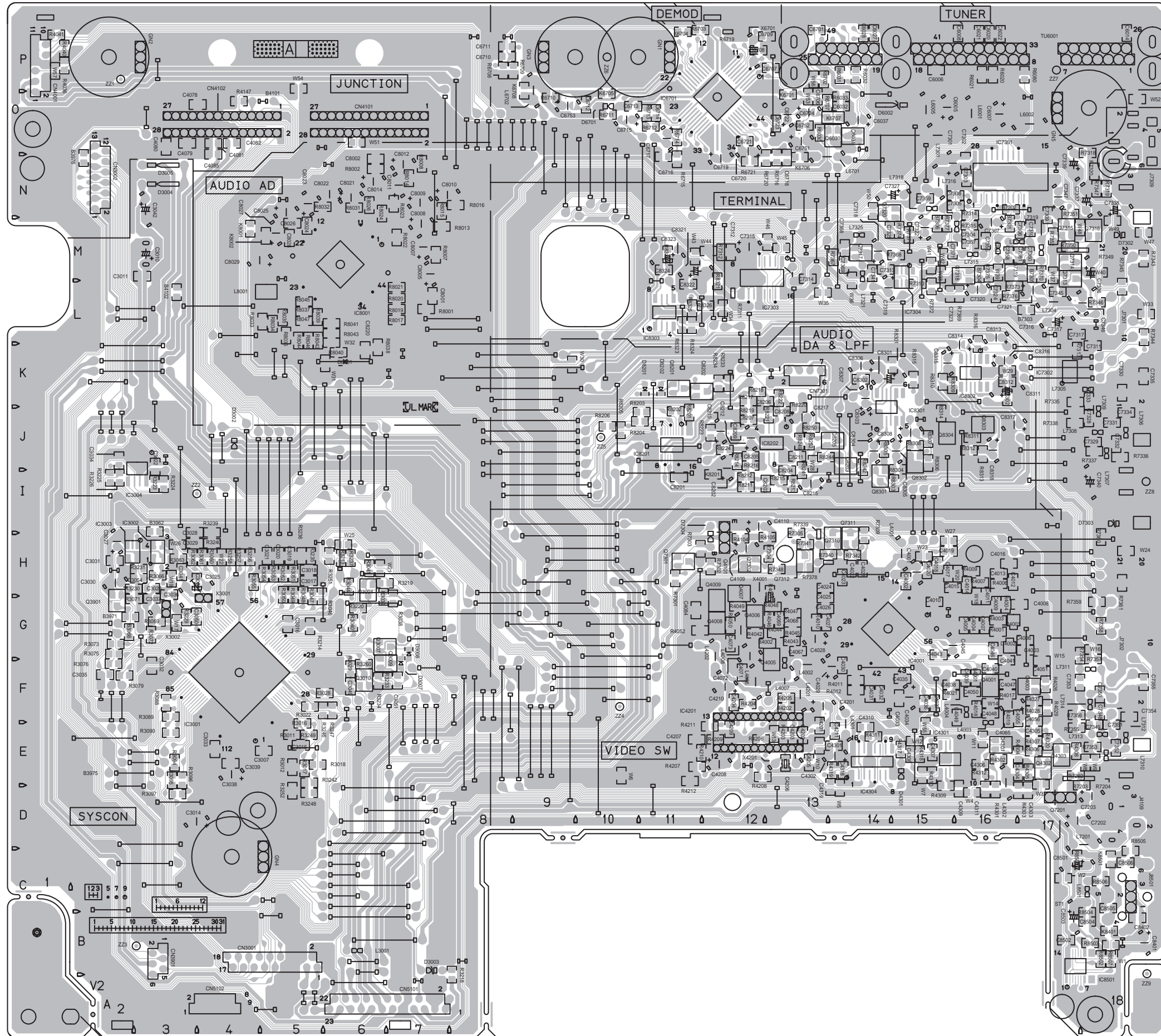
NOTES: UNLESS OTHERWISE SPECIFIED,
ALL RESISTANCE VALUES ARE IN OHMS.
ALL INDUCTANCE VALUES ARE IN H.
ALL CAPACITANCE VALUES ARE IN μF.

ELECTROLYTIC
 CERAMIC
 MYLER
 NON POLAR

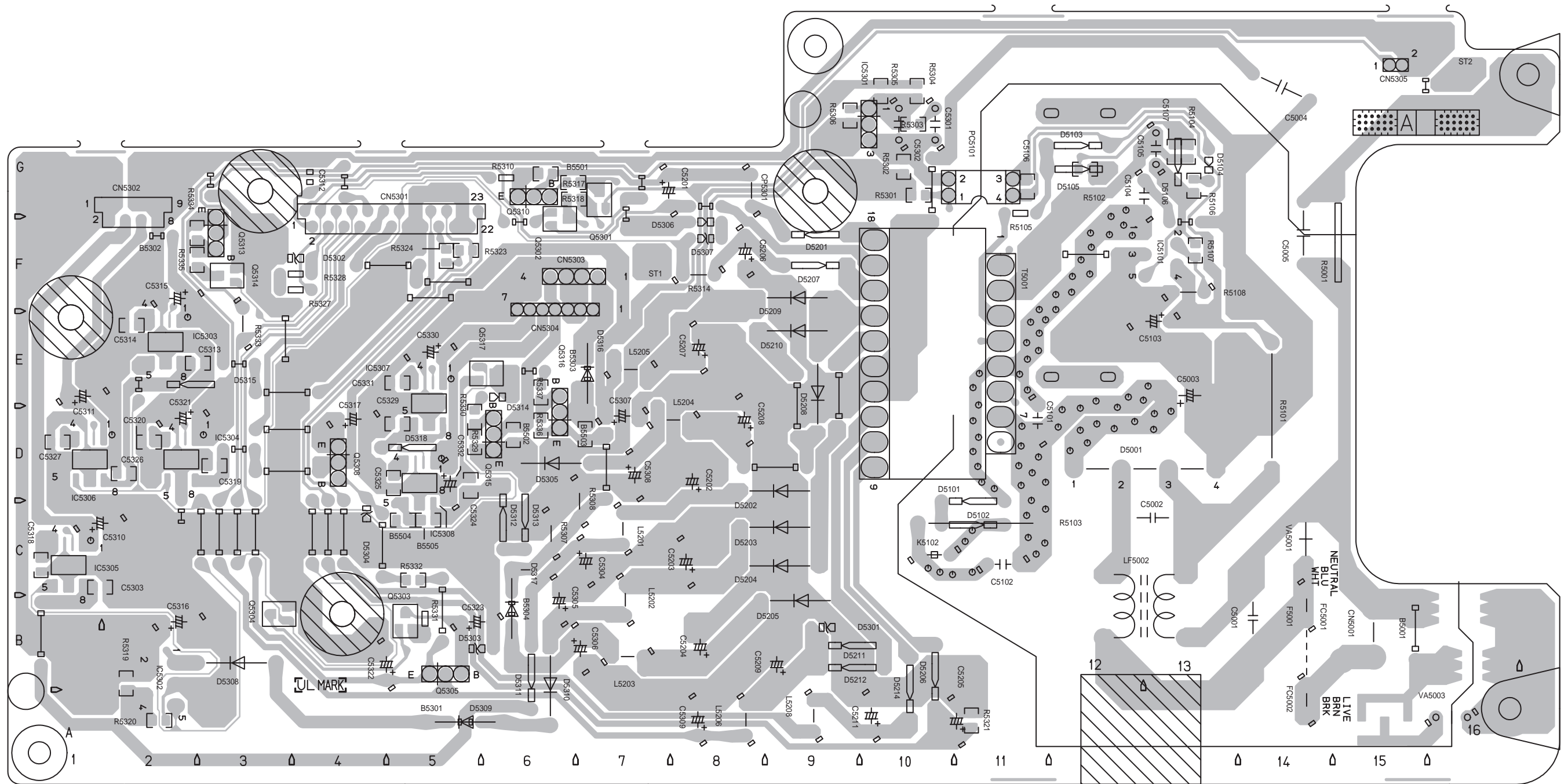
LAST No.	VACANT No.
R 7047 7156	7004-7008-7011-7012-7017-7020-7022-7043-7046
C 7056 7154	7009-7013-7055
D 7043 7127	7002-7020-7022-7030-7036-7041
Q 7001 7107	7101-7105-7116-7150
L 7001	7101-7149
IC 7002	7101-7111-7116-7122
DI 7001	7101-7112-7116-7131
S 7001 7135	
CN 7001 7102	

Printed circuit boards

■ Main board



■ Power supply board



<< MEMO >>



VICTOR COMPANY OF JAPAN, LIMITED

AV & MULTIMEDIA COMPANY OPTICAL DISC CATEGORY 1644, Shimotsuruma, Yamato, Kanagawa 242-8514, Japan